

# EWVO

## WORLD CLASS SOLAR MODULES

**72 Cells**  
Monocrystalline  
Module

**355-370W**  
Power Output Range

**18.3-19.1%**  
Maximum Efficiency

**0~+5w**  
Power Tolerance



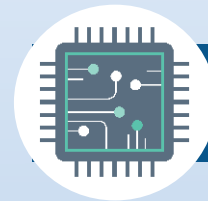
**ROBOTIC PLANT**

PRODUCT WARRANTY  
**12**  
Years  
PRODUCT WARRANTY

PERFORMANCE WARRANTY  
**30**  
Years  
PERFORMANCE WARRANTY



WORLD  
CLASS  
PRODUCTS



FULLY  
AUTOMATED  
ADVANCED  
SOLAR PLANT

**100%**

100%  
A GRADE  
CELLS ONLY



EVERY  
MODULE DOUBLE  
TESTED  
& CHECKED



PRODUCTION  
BASE IN  
VIETNAM



NO  
COMPROMISE  
ON QUALITY



CE

IEC





## WORLD CLASS SOLAR MODULES

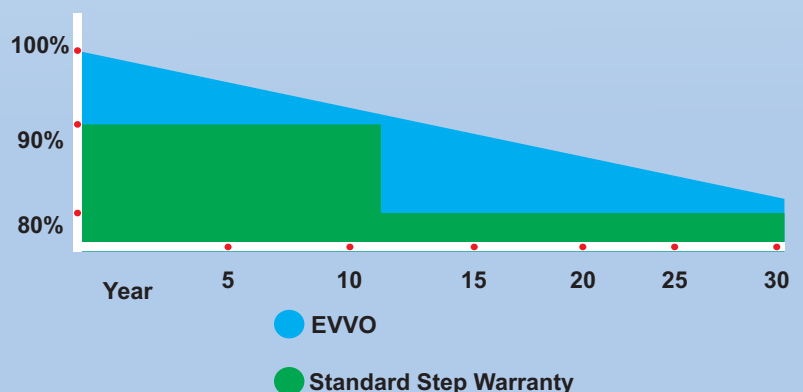
### PRODUCT SPECIFICATIONS



- **DEAL FOR LARGE SCALE INSTALLATIONS**
  - High power footprint reduces installation time and BOS costs
  - 1500V UL/1500V IEC certified
- **ONE OF THE INDUSTRY'S MOST TRUSTED MODULES**
  - Field proven performance
  - Strong, reliable supplier
- **HIGHLY RELIABLE DUE TO STRINGENT QUALITY CONTROL**
  - Over 30 in-house tests (UV, TC, HF, and many more)
  - In-house testing goes well beyond certification requirements
  - 100% EL double inspection
- **CERTIFIED TO WITH STAND CHALLENGING ENVIRONMENTAL CONDITIONS**
  - 2400 Pa wind load
  - 5400 Pa wind load
  - 35 mm hail stones at 97 km/h
  - PID resistant

### LINEAR PERFORMANCE WARRANTY

12 Year Product Warranty  
30 year Linear Power Warranty



### Electrical Specifications (standard test conditions)

Maximum Power -P <sub>MAX</sub> (Wp)	355	360	365	370
Power Tolerance-P <sub>MAX</sub> (W)	0 ~ +5%			
Maximum power point of operating voltage-P <sub>MPP</sub> (V)	38.7	38.9	39.1	39.3
Maximum power point of operating current)-I <sub>MPP</sub> (A)	9.17	9.26	9.35	9.44
Open circuit voltage-V <sub>oc</sub> (V)*	47.0	47.2	47.3	47.5
Short circuit current- IM (A)	9.69	9.79	9.88	9.97
Module Efficiency $\eta_{m}$ (%)	18.3	18.5	18.8	19.1

Standard test conditions under Measured Value:( air quality AM1.5, Irradiance 1000W / m<sup>2</sup> cell temperature 25 °C)

### Electrical Index (under nominal operating cell temperature conditions)

Maximum Power-P <sub>MAX</sub> (Wp)	264	268	272	276
Maximum power point of operating voltage-P <sub>MPP</sub> (V)	35.8	35.9	36.1	36.3
Maximum power point of operating current)-I <sub>MPP</sub> (A)	7.40	7.47	7.54	7.61
Open circuit voltageV <sub>oc</sub> (V)*	43.7	43.8	43.9	44.0
Short circuit current- IM (A)	7.82	7.88	7.92	7.98

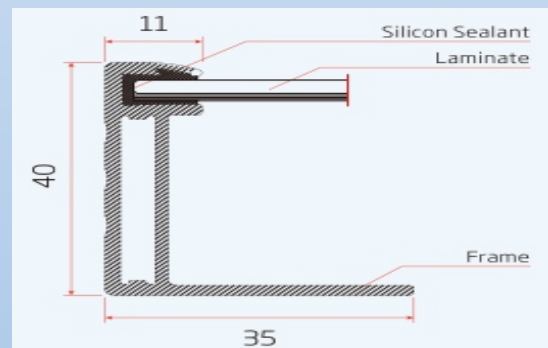
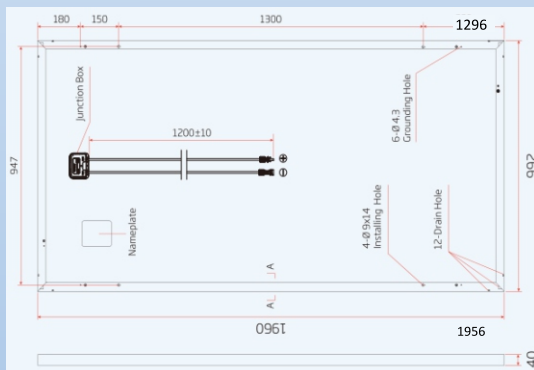
NOCT: Irradiance 800W / m<sup>2</sup> ambient temperature of 20 °C, wind speed 1m .

### Mechanical Specifications:

Solar cell Type	156.75mm x156.75mm Mono-crystalline
Number of Cells	1 module 72pieces (6 x12)
Dimensions	1956 x992 x40 mm
Weight	22.5 kg -26kg(glass 3.2/4.0mm)
Glass	3.2mm/4.0mm, High transparency, anti-reflective coatings toughened glass
Backsheet	White/black
Frame	Silver, anodized aluminum
Junction Box	Protection level IP 68
Cable	4.0 mm <sup>2</sup> 1200 mm Photovoltaic dedicated cable:
Connector	MC4 compatible

### Temperature Rating

	Limit parameter		
Nominal Operating Cell Temperature (NOCT)	44°C (±2°C)	Working Temperature	-40~+85°C
Maximum power (P <sub>MAX</sub> ) Temperature Coefficient	-0.39%/°C	Maximum system voltage	1500V DC (IEC)
Open circuit voltage (VOC) Temperature Coefficient	-0.29%/°C		1500V DC (UL)
Short circuit current (ISC) Temperature Coefficient	0.05%/°C	Maximum fuse rated Current	15A



### P72 Module Packing

Name	Dimensions (mm)	Weight (kg)
Pallet	1995*1120*145mm	25
Carton Box(26pcs)	1992*1114*1000mm	12
Carton Box (2pcs)	1975*1000*90mm	2.5

Maximum stacking height of P72 Module Packing 26 pcs per box allow stacking of the same 26 pcs box, Plus 2 boxes per box 2pcs:

26 pcs single pallet dimension height:1145mm Weight:713KG

Height of 2 pallet stacking 2 pallet per box 2pcs: 2470mm Weight 1510KG

### Packaging Method

Modules per box:26 pcs

Modules per 40 ft container: 624 pcs

\* Installation depends on the mechanical load

### Authorized Dealer

#### Registered Office :

Commercial Centre,  
27 Hillier Street, Sheung Wan,  
Hong Kong,Asia.

Contact : +91 7338821798  
E-Mail : info@evvosolar.com  
Skype : evvosolar

#### Manufacturing Unit :

Tien Son Industrial Zone,  
Hoan Son Commune,  
Tien Du District, Bac Ninh

E-Mail :  
vietnam@evvosolar.com

#### Global Sales Office :

Sidco Industrial Estate,  
Ambattur, Chennai - 600053  
India.

Contact : +91 7338821798  
E-Mail : sales@evvosolar.com  
Skype : evvosolar

